



NEW!

CE



KDPM Series

DESCRIPTION

The **Kele Digital KDPM Series** differential pressure transducers utilize highly accurate, microprocessor profiled sensors and an advanced ceramic capacitive sensing element. Designed to monitor duct and room pressure in commercial buildings, the **KDPM Series** offers exceptional job-site flexibility. The **KDPM** features field-selectable ranges. The directional mode jumper is used to configure the transducer in uni-directional or bi-directional mode for room and building static pressure applications. All models feature a pushbutton and digital input terminal to zero the output. The microprocessor is programmed to reduce accidental zero adjustment during normal operation.

FEATURES

- *Selectable ranges and scales reduce setup time & number of models to stock*
- *Monitors positive and negative pressure for application versatility*
- *High accuracy digital sensor maintains calibration*
- *Excellent tolerance to overpressure & vibration reduces field failures*
- *High reliability sensor technology for long-term maintenance-free operation*
- *Optional LCD is ideal for setting up, troubleshooting, and measuring*

APPLICATION

- *Static pressure in duct or room applications*
- *Variable air volume system control*
- *Filter status monitoring*
- *Clean, rooms, hospitals, fume hoods, computer rooms, and other very low differential pressure applications*

SPECIFICATIONS	
Supply Voltage	24 VAC @ 0.72 VA, 12-30 VDC @ 30 mA
Accuracy	±1% F.S. of selected range, (combined linearity & hysteresis)
Signal Output	Selectable- 0-5V @ 5KΩ, 0-10V @ 5KΩ, 4-20mA @ 750Ω
Sensor Type	Ceramic Capacitive
Adjustment	Push Button Zero & remote Zero
Normal Measurement Range	4-Multirange settings & Bi-Directional jumper
Low Range	(-1) 0- (.1, .25, .5, 1)" WC
HI Range	(-10) 0- (1, 2.5, 5, 10)" WC
Overpressure	(Burst) 5 psid (34.5 kPa)
Max Operating Pressure	(Proof) 3 psid (20.6 kPa)
Display	3.5 Digit LCD Display w/ Auto-Pressure ranging
Operating Temperature	32 to 140°F (0 to 60°C)
Operating Humidity	0 to 90% RH non-condensing
Wetted Parts	Ceramic diaphragm
Media Compatibility	Inert
Process Connection	Dry air 3/16" OD Brass barb, for 1/4" OD tubing
Wiring Terminals	2-(4-20 mA), 3-(Volts), 2-(remote Zero)
Mounting	2 screws, Vertical
Enclosure Rating	ABS UL94V-0, NEMA 1
Dimensions	3.3"W x 4.5"H x 2.2"D, (8.4 x 11.4 x 5.5 cm)
Weight	0.5 lb (0.28 Kg)
Approvals	CE
Warranty	5 years

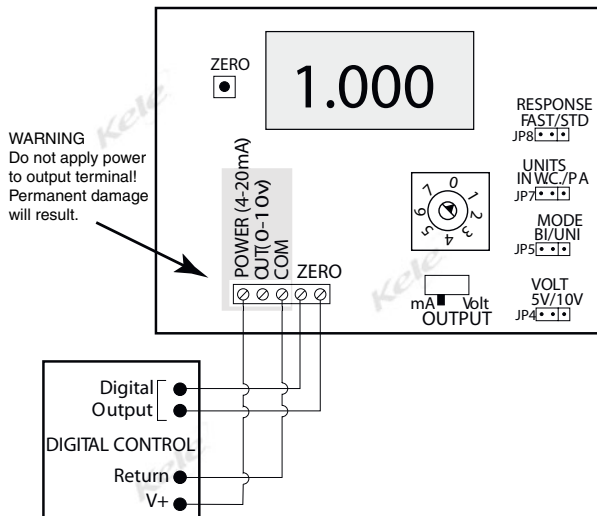


PRESSURE

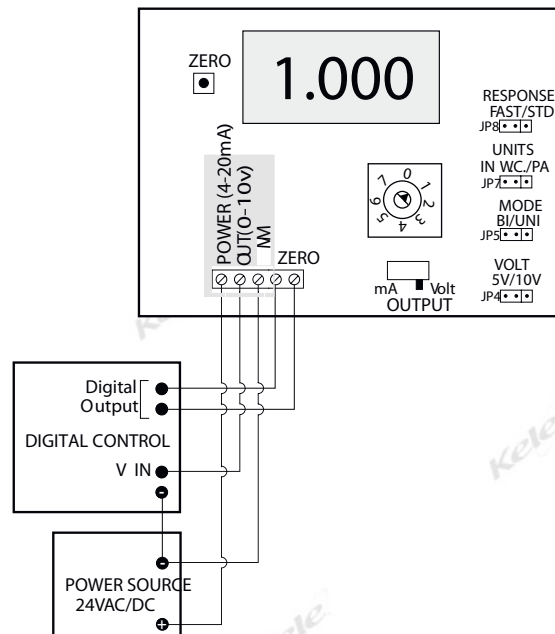
DRY MEDIA DIFFERENTIAL PRESSURE TRANSDUCERS KDPM SERIES

WIRING

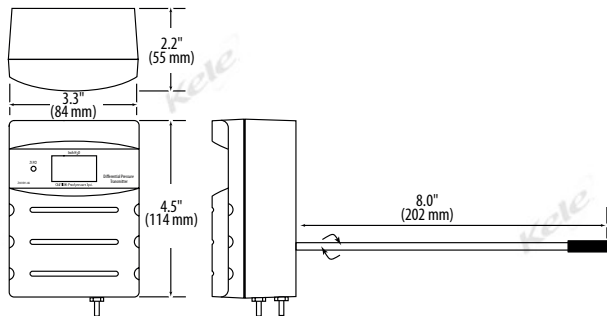
2-wire, 4-20mA



3-wire, 0-5V/0-10V



DIMENSIONS



RANGE SELECTION GUIDE

Range Selection Guide

Rotary Switch Position	KDPM-x-1		KDPM-x-10		KDPM-010	
	Inches WC.	Pascal	Inches WC.	Pascal	Inches WC.	Pascal
0	0.1	25	1	250	0.1	25
1	0.25	50	1	250	0.25	50
2	0.5	100	1	250	0.5	100
3	1	250	1	250	1	250
4	1	250	2.5	0.5 kPa	2.5	0.5 kPa
5	1	250	5	1 kPa	5	1 kPa
6	1	250	10	2.5 kPa	10	2.5 kPa
7	1	250	10	2.5 kPa	10	2.5 kPa

ORDERING INFORMATION

MODEL	DESCRIPTION
KDPM-010	Dry DP, no LCD, Universal 0.1 to 10" WC
KDPM-010-LCD	Dry DP, with LCD, Universal 0.1 to 10" WC
KDPMP-10	Dry DP, panel mount, no LCD, 1" to 10" WC
KDPMP-1	Dry DP, panel mount, no LCD, 0.1" to 1" WC
KDPMP-10-LCD	Dry DP, panel mount, with LCD, 1" to 10" WC
KDPMP-1-LCD	Dry DP, panel mount, with LCD, 0.1" to 1" WC
KDPM-10	Dry DP, duct, no LCD, 1" to 10" WC
KDPM-1	Dry DP, duct, no LCD, 0.1" to 1" WC
KDPM-10-LCD	Dry DP, duct, with LCD, 1" to 10" WC
KDPM-1-LCD	Dry DP, duct, with LCD, 0.1" to 1" WC